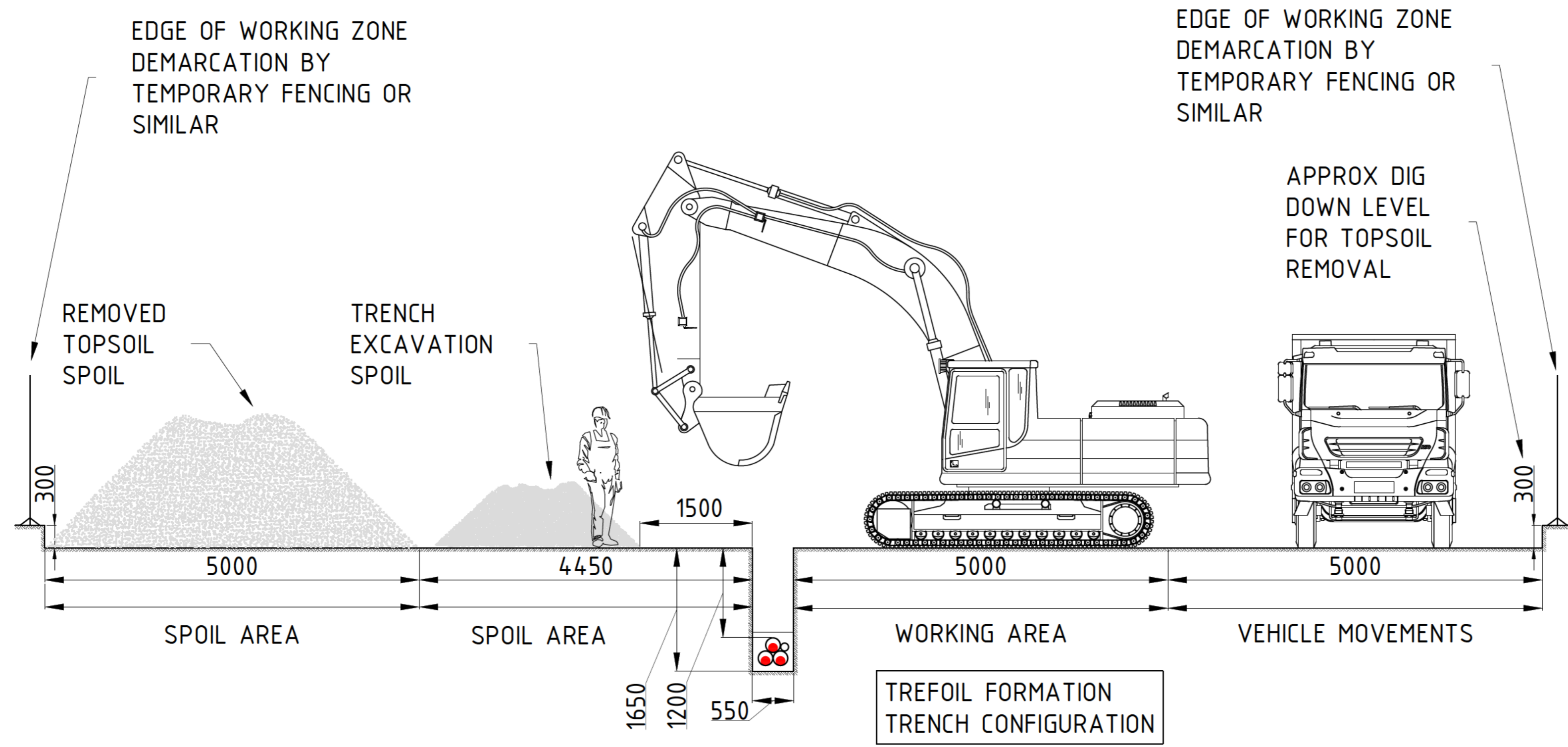


TYPICAL WORKING SWATHE CROSS SECTION

- 1) THIS DRAWING IS FOR SUBMISSION
- 2) ALL DIMENSIONS ARE IN MILLIMETERS UNLESS OTHERWISE STATED

431678-6002 SINGLE CIRCUIT TRENCH CONFIGURATIONS
 431678-6003 TYPICAL HDD CROSSING SECTIONS



P1	02.09.22	FIRST ISSUE	J.S.B	A.D	V.S
REV	DATE	DESCRIPTION	DRN	CHK	APP

Do not scale from this drawing. All dimensions given in millimetres unless otherwise stated. COPYRIGHT - Owned by Freedom Electrical Design, Freedom Group, Unit 11, Charles Industrial Estate, Stowupland Road, Stowmarket, Suffolk, IP14 5AH. Tel: 0845 168 6040. This drawing may not be used or copied without written consent.



TITLE					
Figure 4.12 400kV TRENCH WORKING SWATHE					
PROJECT NAME HECKINGTON FEN SOLAR PARK					
CUSTOMER ECOTRICITY					
CUSTOMER DRAWING NUMBER			STATUS FOR SUBMISSION		
DRAWING NUMBER 431678-6004		SCALE 1:50	SIZE A2	REVISION P1	